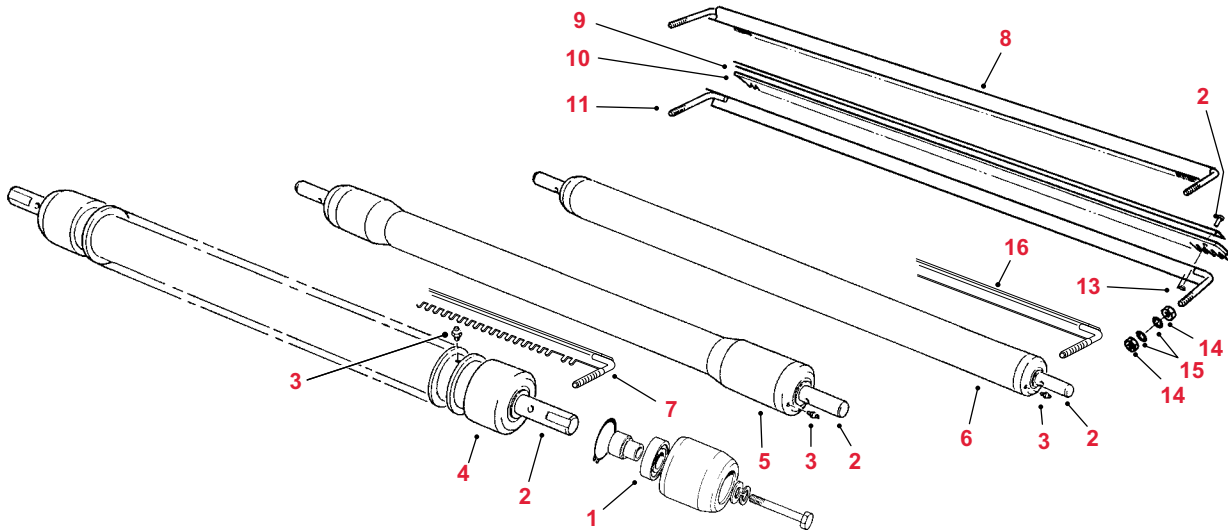


WALK GREENSMASTERS

Grensmaster® 500/800/1000/1600/2000/2600 Roller Parts



NOTE: Always consult your product's Parts Catalog to insure ordering the correct part. The part needed may not be listed in this program catalog.

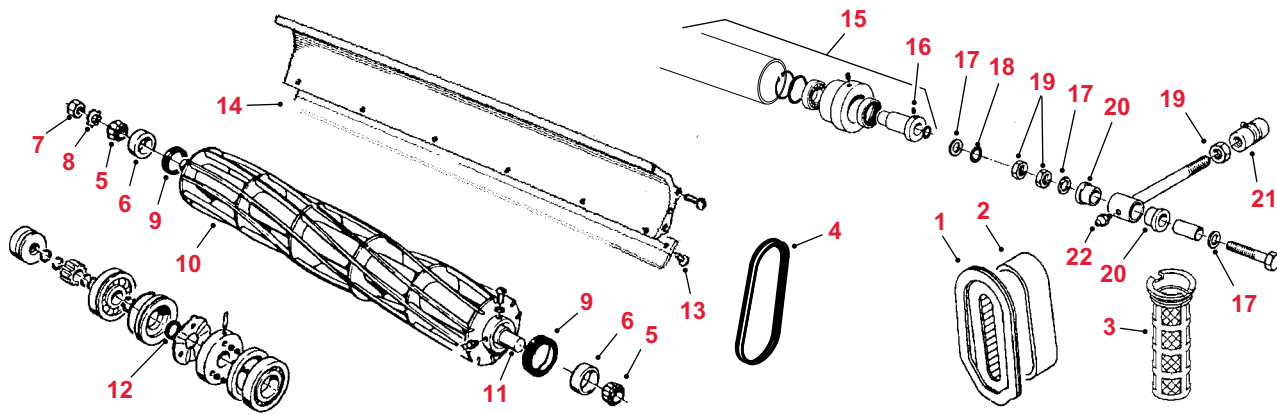
Ref. No.	Part No.	Description	Qty. Reqd.
1	251-127	ORDER 36-7420	2
1	36-7420	BEARING - AUXILIARY ROLLER (GR 1000)	2
2	21-6410	BEARING ROLLER (FOR 21-6540 ONLY)	2
2	52-3210	ORDER 52-3180	2
2	52-3180	BEARING ROLLER	2
3	302-5	GREASE FITTING	2
4	98-7264	WIEHLE ROLLER ASSEMBLY (GR 800)	1
4	99-6240	WIEHLE ROLLER ASSEMBLY (GR 800)	1
4	71-1550	WIEHLE ROLLER ASSEMBLY - CAST (GR 1000)	1
4	88-6790	WIEHLE ROLLER ASSEMBLY - ALUMINUM (GR 1000)	1
4	99-6241	WIEHLE ROLLER ASSEMBLY - 0.20" SPACING (GR 1000/2000)	1
4	93-9039	WIEHLE ROLLER ASSEMBLY (GR 1600/2600)	1
*	107-1589**	Roller Rebuild MVP Kit	A/R
5	10-5000	ORDER 52-3590	1
5	21-6470	ORDER 52-3590	1
5	52-3590	SWAGED ROLLER ASSEMBLY (GR 1000)	1
*	107-1588**	Roller Rebuild MVP Kit	A/R
6	21-6440	ORDER 52-3170	1
6	52-3170	FULL ROLLER ASSEMBLY (GR 1000)	1
6	95-0930	FULL ROLLER ASSEMBLY (GR 1600)	1
6	98-5917	ORDER 104-2640	1
6	104-2640	FULL ROLLER ASSEMBLY (GR 800)	1
6	104-2642	FULL ROLLER ASSEMBLY 21" (GR 1000)	1
*	107-1588**	Roller Rebuild MVP Kit	A/R
7	99-6239-01	SCRAPER - WIEHLE	1
8	33-1000	SCRAPER BRUSH (GR 1000)	1
9	8-2520-01	SUPPORT COMB	1
10	8-2530	URETHANE COMB	1
11	11-0070	SCRAPER COMB (GR 1000)	1
12	3249-3	SCREW	11
13	3296-9	NUT	11
14	3219-1	NUT	4
15	3254-8	LOCKWASHER	4
16	98-7257	ROLLER SCRAPER - SMOOTH (GR 800)	1
16	65-8360-01	ROLLER SCRAPER - SMOOTH (GR 1000)	1

*Not Illustrated

**See pages 7-17 for Kit contents

WALK GREENSMASTERS

Greensmaster® 500



NOTE: Always consult your product's Parts Catalog to insure ordering the correct part. The part needed may not be listed in this program catalog.

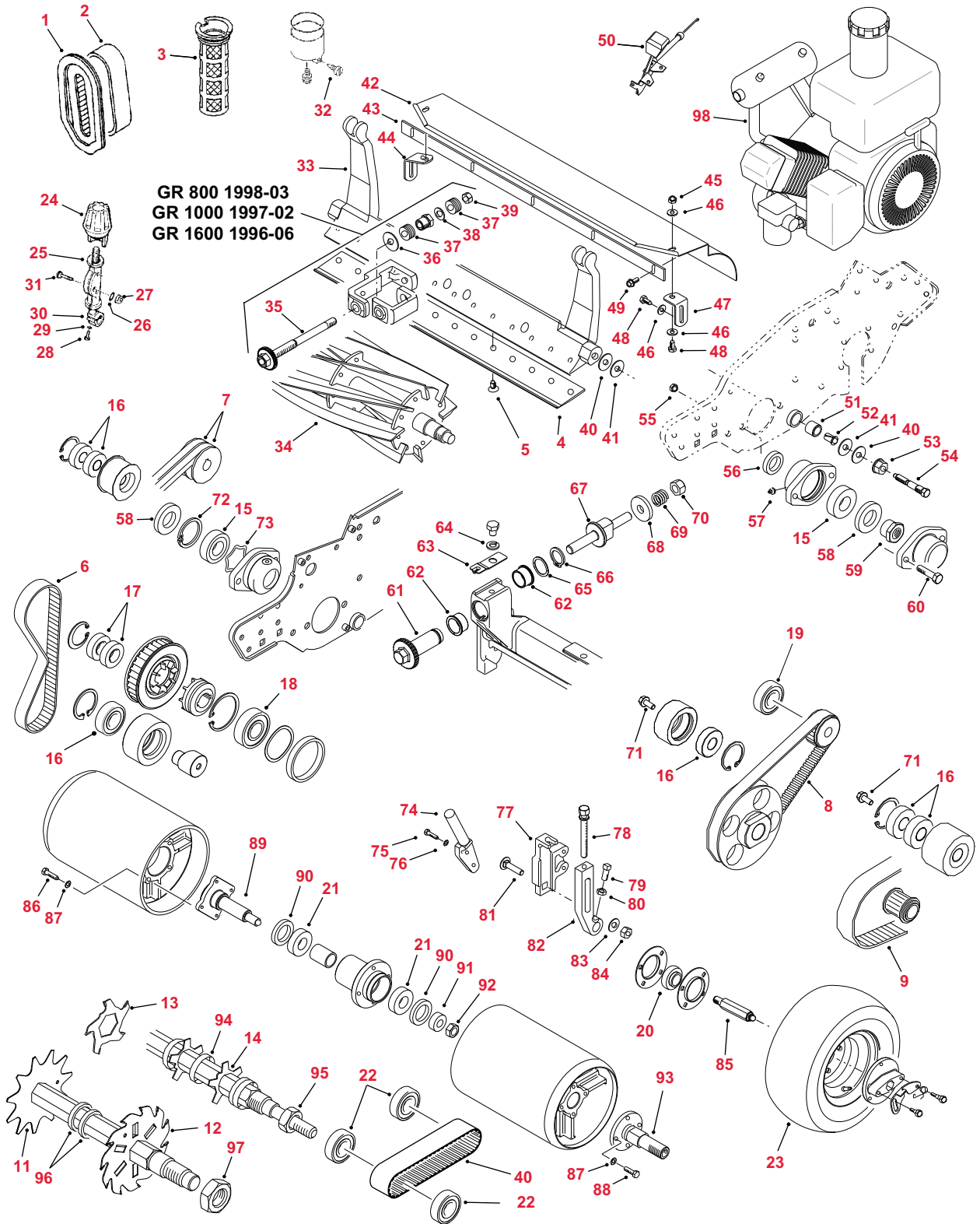
Ref. No.	Part No.	Description	Qty. Reqd.
1	93-8636	ELEMENT - AIR FILTER	1
2	93-8637	PRE CLEANER - AIR FILTER	1
*	30065**	Filter MVP Kit	A/R
3	94-6826	FILTER - FUEL	1
4	95-1811	V-BELT - TRANSMISSION TO CLUTCH	1
5	254-68	BEARING CONE	2
6	254-67	BEARING CUP	2
7	254-86	LOCKNUT	1
8	254-87	LOCKWASHER	1
9	253-120	SEAL	2
10	4-2219	REEL	1
11	5-1393	SHAFT - REEL	1
12	253-83	CLUTCH SHAFT OIL SEAL	1
13	57-4910	BEDKNIFE SCREW	6
14	88-8990	BEDKNIFE - HIGH TOURNAMENT-CUT (STD)	1
14	88-9000	BEDKNIFE - LOW TOURNAMENT-CUT	1
14	95-3147	BEDKNIFE - MICRO CUT	1
15	5-1382	ROLLER ASSEMBLY	1
16	3245-1	SCREW - SET	1
17	3256-24	WASHER	6
18	3254-6	LOCKWASHER	2
19	3220-3	NUT	6
20	3-1506	BUSHING PULL ARM	4
21	94-2959	ORDER 99-1460	2
21	99-1460	BALL JOINT RECIEVER ASSY.	2
22	302-5	GREASE FITTING	4

*Not Illustrated

**See pages 7-17 for Kit contents

WALK GREENSMASTERS

Greensmaster® 800/1000/1600/2000/2600



NOTE: Always consult your product's Parts Catalog to insure ordering the correct part. The part needed may not be listed in this program catalog.

WALK GREENSMASERS

Greensmaster® 800/1000/1600/2000/2600

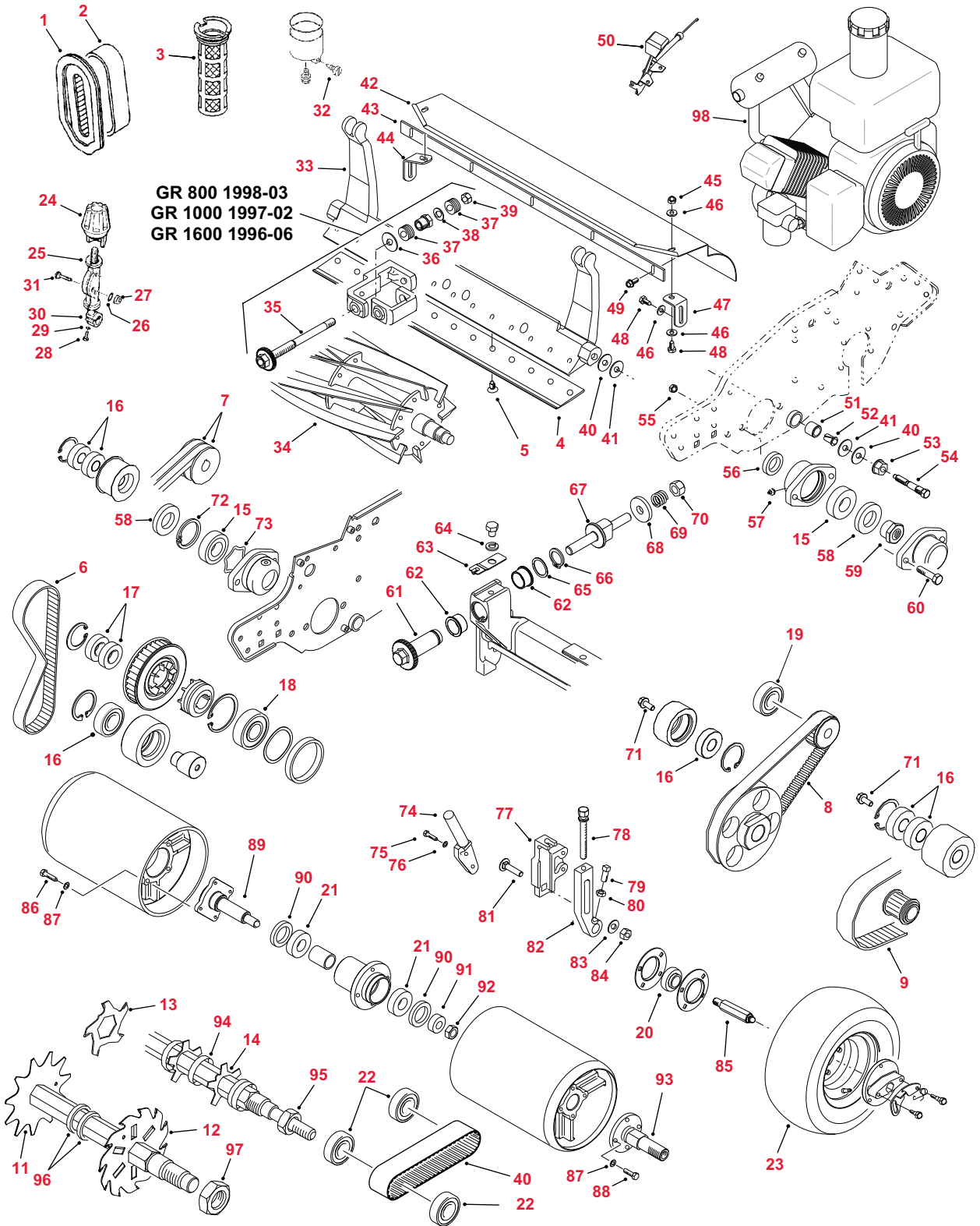
Ref. No.	Part No.	Description	Qty. Reqd.
1	93-8636	ELEMENT - AIR (1995 & UP)	1
2	93-8637	PRE CLEANER - AIR (1995 & UP)	1
*	30065**	Filter MVP Kit (1995-07)	A/R
*	30067**	Filter MVP Kit (2008 & Up)	A/R
3	94-6826	FILTER - FUEL SCREEN (GR 800 ALL)	1
3	94-6826	FILTER - FUEL SCREEN (GR 1000 MID 1996 & UP)	1
3	94-6826	FILTER - FUEL SCREEN (GR 1600 ALL)	1
3	93-8684	FILTER - FUEL SCREEN (GR 1000 1995-MID 1996)	1
4	98-7260	BEDKNIFE - TOURNAMENT-CUT (GR 800)	1
4	98-7261	BEDKNIFE - MICRO CUT (GR 800)	1
4	57-4980	ORDER 93-4263	1
4	63-8560	ORDER 93-4263	1
4	93-4263	BEDKNIFE - TOURNAMENT-CUT (GR 1000/2000)	1
4	63-8470	ORDER 93-4264	1
4	93-4264	BEDKNIFE - LOWCUT (GR1000/2000)	1
4	65-8250	ORDER 93-4262	1
4	93-4262	BEDKNIFE - MICRO CUT (GR 1000/2000)	1
4	93-9015	BEDKNIFE - LOWCUT (GR 1600/2600)	1
4	94-5885	BEDKNIFE - TOURNAMENT-CUT (GR 1600/2600)	1
4	104-2646	BEDKNIFE - HIGHCUT (GR1600/2600)	1
4	107-8181	BEDKNIFE - FAIRWAY-CUT (GR1600/2600)	1
4	112-9275	BEDKNIFE - MICRO CUT (GR1600/2600)	1
5	3-6462	ORDER 57-4910	13
5	57-4910	BEDKNIFE SCREW	13
6	65-6200	BELT - REEL DRIVE	1
7	65-7270	V-BELT (SET OF 2) - COUNTERSHAFT (GR 1000 90-95)	1
7	92-9218	V-BELT (SET OF 2) - COUNTERSHAFT (GR 800/1000 95 UP,1600)	1
8	65-6210	BELT - TRANSPORT WHEEL DRIVE	1
9	65-9080	BELT - DRUM DRIVE	1
10	65-9700	BELT - GROOMER DRIVE (GR 800/1000/1600)	1
11	17-1590	BLADE - DETHATCHER (STD)	35
12	106-5422	BLADE - DETHATCHER (1MM-CARBIDE TIPPED)	35
12	106-6355	BLADE - DETHATCHER (2MM-CARBIDE TIPPED)	35
13	110-2393	BLADE GROOMER (CARBIDE TIPPED - 1998 & UP)	41
14	70-1170	BLADE - GROOMER (1991-97)	41
14	95-5719	BLADE - GROOMER (1998 & UP)	41
15	251-342	BEARING - REEL	1
16	38-7820	BEARING - BALL (IDLERS)	7
17	251-336	BEARING - BALL	2
18	251-318	BEARING - BALL	1
19	251-338	BEARING - BALL	2
20	251-337	BEARING - BALL (GR 1000 DRUM DRIVE SHAFT - 1990-92)	2
20	88-7880	BEARING - BALL	2
21	251-257	BEARING BALL (1990-99)	2
21	251-82	BEARING - BALL (GR 2000 & UP)	2
22	251-327	BEARING - BALL (GROOMER)	5
23	65-7940	TIRE (12 X 3.25 - 6) 4-PLY TRANSPORT WHEEL KIT	2
24	10-5040	ORDER 65-8600	2
24	65-8600	KNOB - ADJUSTMENT (GR 1000)	2
25	10-5060	BRACKET - H.O.C. (GR 1000)	2
26	3256-23	WASHER	2
27	3296-29	LOCKNUT	2
28	321-4	SCREW - CAP HEX HD	2
29	3253-3	LOCKWASHER	2
30	65-9500	SCREW - ADJUSTMENT	2

*Not Illustrated

**See pages 7-17 for Kit contents

WALK GREENSMASTERS

Greensmaster® 800/1000/1600/2000/2600



NOTE: Always consult your product's Parts Catalog to insure ordering the correct part. The part needed may not be listed in this program catalog.

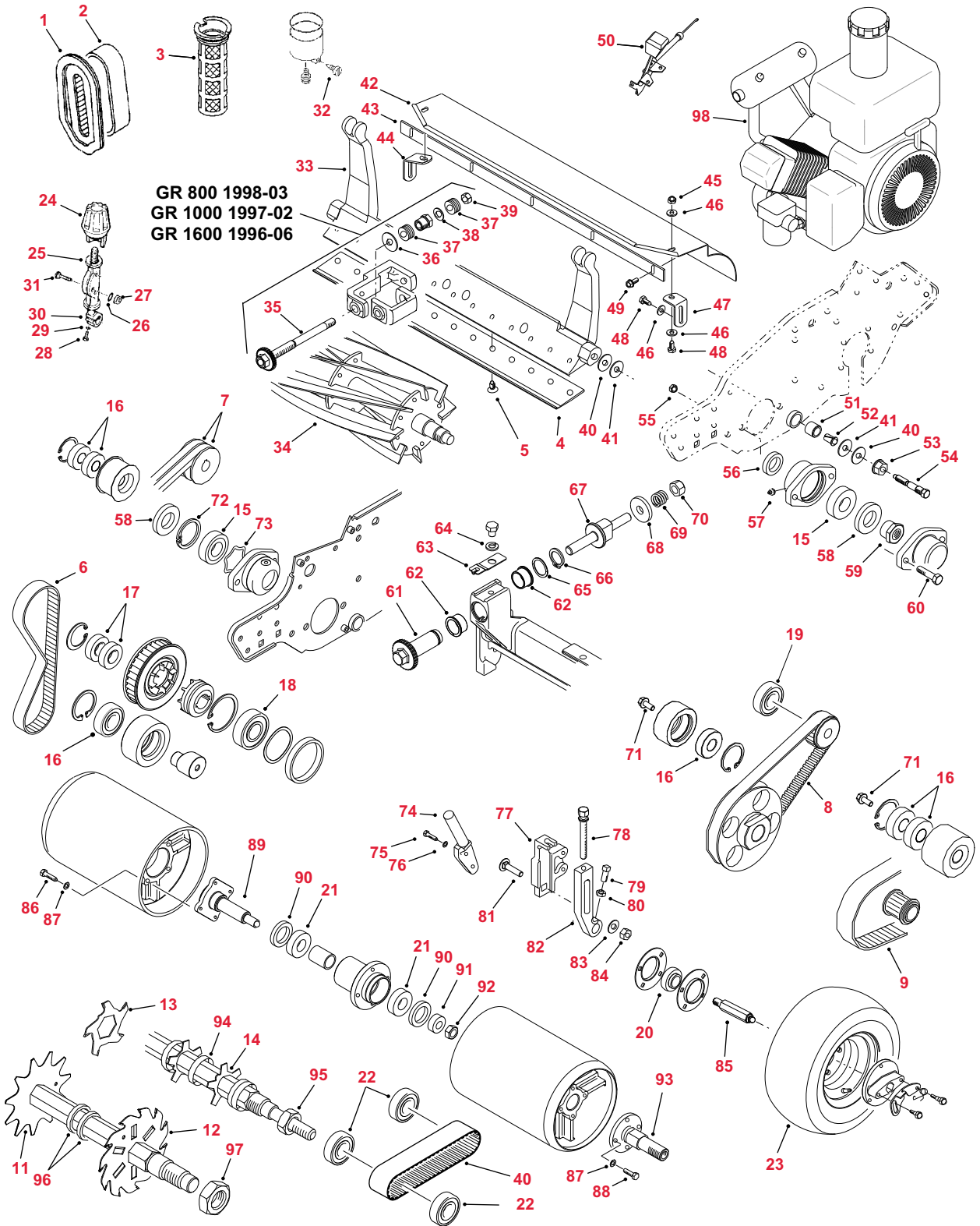
WALK GREENSMASERS

Greensmaster® 800/1000/1600/2000/2600

Ref. No.	Part No.	Description	Qty. Reqd.
31	3230-5	BOLT	2
32	93-8626	SCREW - CARB BOWL (1995 & UP)	1
33	93-6053-01	BEDBAR (GR 1000)	1
33	93-9049-01	BEDBAR (GR 1600)	1
34	13-8519	ORDER 93-6097	1
34	14-0839	ORDER 93-6097	1
34	92-8653	ORDER 93-6097	1
34	93-9029	ORDER 95-0900	1
34	98-5919	REEL - 11 BLADE (GR 800)	1
34	93-6087	REEL - 8 BLADE (GR 1000/2000)	1
34	93-6097	REEL - 11 BLADE (GR 1000/2000)	1
34	117-1449	REEL - 14 BLADE (GR 1000/2000)	1
34	95-0900	REEL - 8 BLADE (GR 1600/2600)	1
34	112-9276	REEL - 11 BLADE (GR 1600/2600)	1
35	94-5873	KNOB - ADJUSTMENT	2
36	94-5859	WASHER - HARDENED	2
37	93-9043	WASHER - BELLEVILLE	32
38	94-5858	WASHER	2
39	3296-48	NUT - HEX	2
40	52-2860	WASHER	4
41	52-2900	WASHER	4
42	98-5918	GRASS SHIELD (GR 800)	1
42	93-6069	GRASS SHIELD (GR 1000)	1
42	94-9009	GRASS SHIELD (GR 1600)	1
42	112-9471	GRASS SHIELD (GR 2000)	1
42	110-7370	GRASS SHIELD (GR 2600)	1
43	36-7260	CUTOFF BAR (GR 1000/2000)	1
43	94-5879	CUTOFF BAR (GR 1600/2600)	1
43	98-5933	CUTOFF BAR (GR 800)	1
44	65-6460	BRACKET - RH	1
45	3296-42	NUT - LOCK	2
46	3256-22	WASHER	6
47	65-6450	BRACKET - LH	1
48	321-3	SCREW - CAP HEX HD	4
49	32144-73	ORDER 104-2065	5
49	104-2065	SCREW - SELF TAPPING	5
50	65-7800	THROTTLE (GR 1000)	1
51	63-9510	RUBBER BUSHING	2
52	52-2890	BUSHING	2
53	107-9045	ORDER 32128-48	2
53	32128-48	NUT - HEX	2
54	65-6270	BOLT - BEDBAR	2
55	3296-39	SCREW - CAP HEX HD	2
56	253-96	SEAL - INNER	1
57	302-5	GREASE FITTING	1
58	253-163	SEAL - OUTER	1
59	92-7302	NUT - BEARING LOCK	1
60	323-7	SCREW - CAP HEX HD	2
61	106-5363	ADJUSTER (2004 & UP)	2
62	106-5344	BUSHING - KEYED FLANGE	2
63	99-2097	DETENT	2
64	3253-4	WASHER - LOCK	2
65	106-5335	WASHER - WAVE	2
66	32120-93	RING - RETAINING	2
67	99-2096	SCREW - BEDBAR ADJUSTER	2

WALK GREENSMASTERS

Greensmaster® 800/1000/1600/2000/2600



NOTE: Always consult your product's Parts Catalog to insure ordering the correct part. The part needed may not be listed in this program catalog.

WALK GREENSMASERS

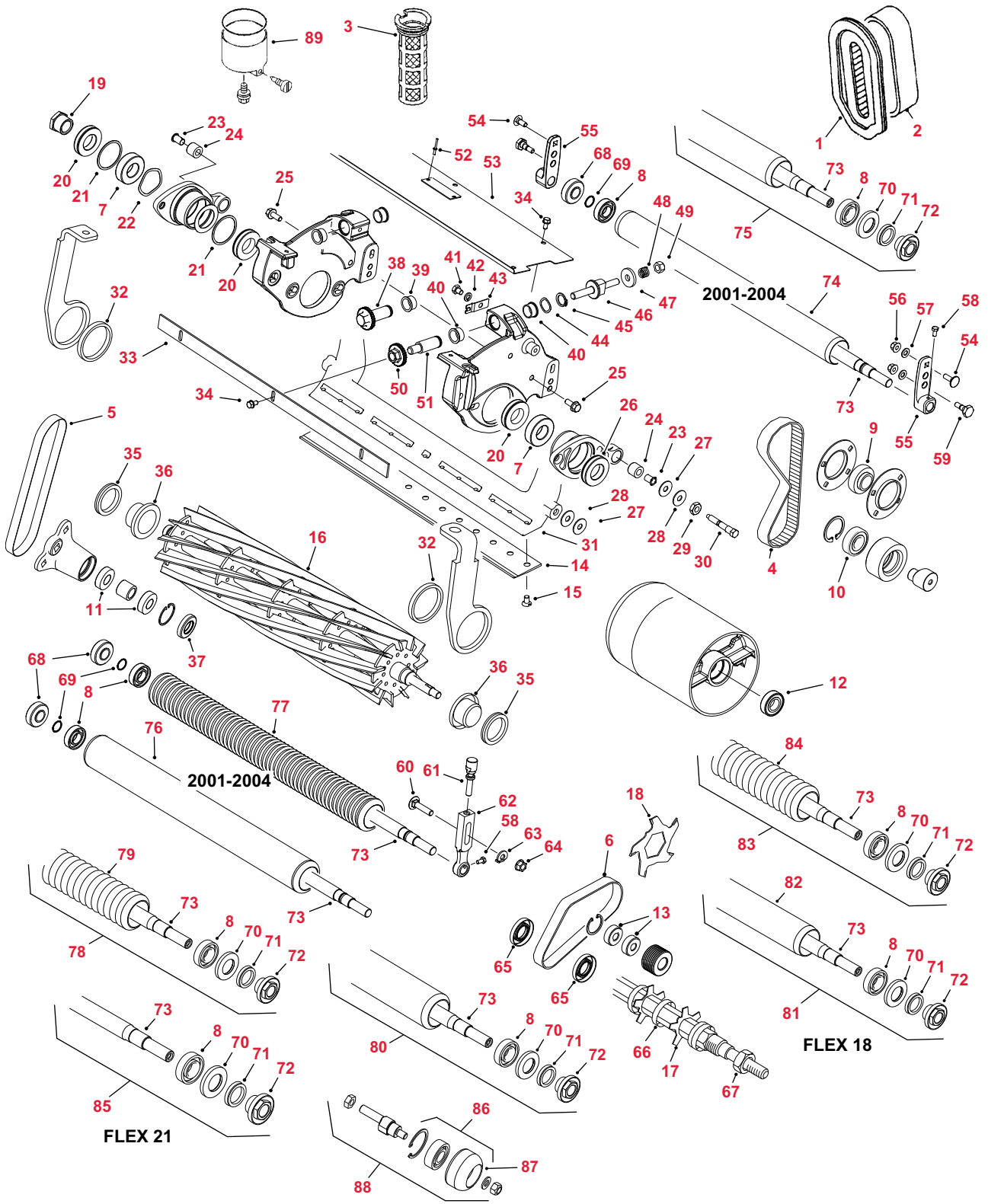
Greensmaster® 800/1000/1600/2000/2600

Ref. No.	Part No.	Description	Qty. Reqd.
68	99-2098	WASHER	2
69	99-3755	SPRING - COMPRESSION	2
70	33025-00	NUT - LOCK	2
71	3234-14	SCREW - HEX FLANGE HD	1
72	32151-92	RING - RETAINING	2
73	3290-485	WASHER - WAVE	1
74	65-7250	ORDER 65-8570	2
74	65-8570	MOUNT - GRASS BASKET (GR 800/1000/2000/2600	2
74	93-9018	ROD - BASKET LH (GR 1600 ONLY)	1
74	93-9017	ROD - BASKET RH (GR 1600 ONLY)	1
75	322-2	SCREW - CAP HEX HD	4
76	3255-8	WASHER - LOCK	4
77	93-6049	BRACKET - HOC LH	1
*	93-6048	BRACKET - HOC RH	1
78	93-6051	SCREW - HOC	2
79	3242-4	SCREW - SQH	2
80	3218-2	NUT - HEX	2
81	3231-5	SCREW - CARRIAGE	4
82	93-6090	ARM - HOC	2
83	3256-24	WASHER - FLAT	4
84	32128-21	NUT - FLANGE LOCK	2
85	88-7580	SHAFT - TRANSPORT LH	1
*	88-7590	SHAFT - TRANSPORT RH	1
86	322-9	SCREW - CAP HEX HD	8
87	3253-4	WASHER - LOCK	16
88	322-5	SCREW - CAP HEX HD	8
89	94-5850	SPINDLE - DRUM	1
90	253-159	SEAL	2
91	65-6530	SPACER - SEAL	1
92	3296-33	NUT - LOCK	1
93	88-7520	SHAFT - DRUM LH	1
*	88-7510	SHAFT - DRUM RH	1
94	70-1350	SPACER (GROOMER REEL)	84
95	3296-60	NUT - LOCK (GROOMER REEL)	2
96	17-1600	SPACER (DETHATCHER REEL)	70
97	3220-18	NUT - LOCK (DETHATCHER REEL)	2
98	107-7636	ORDER 115-1898	1
98	112-9382	ORDER 115-1898	1
98	115-1898	ENGINE (GR 1000/1600/2000/2600)	1

*Not Illustrated

WALK GREENSMASTERS

Greensmaster® Flex 18/21



NOTE: Always consult your product's Parts Catalog to insure ordering the correct part. The part needed may not be listed in this program catalog.

WALK GREENSMASERS

Greensmaster® Flex 18/21

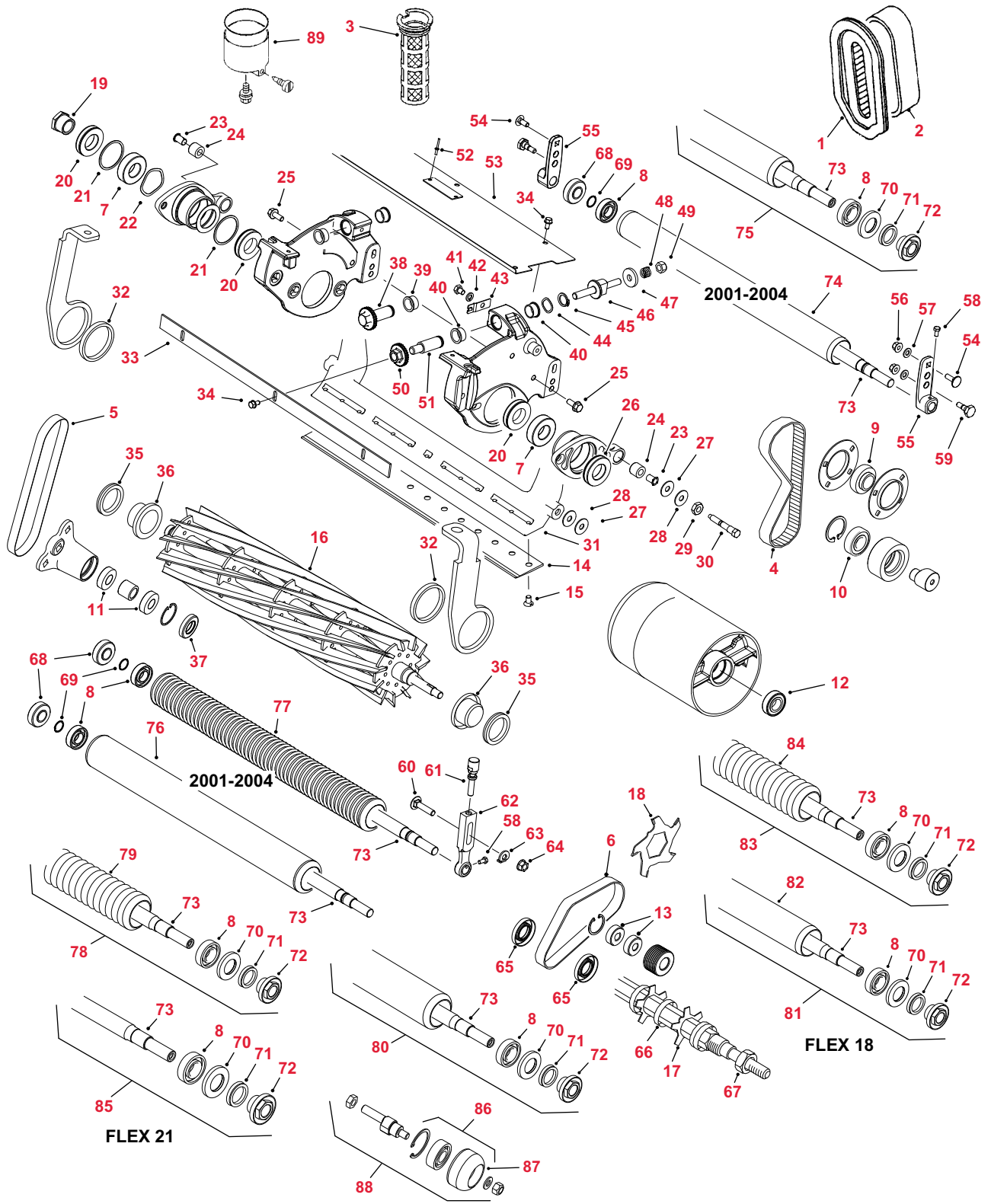
Ref. No.	Part No.	Description	Qty. Reqd.
1	93-8636	ELEMENT - AIR FILTER	1
2	93-8637	PRECLEANER - AIR FILTER	1
*	30065**	Filter MVP Kit (1995-07)	A/R
*	30067**	Filter MVP Kit (2008 & Up)	A/R
3	94-6826	FUEL FILTER - TANK SCREEN	1
4	99-2023	BELT - DRUM DRIVE (2001-05)	1
4	107-8175	ORDER 117-1353	1
4	117-1353	BELT - DRUM DRIVE (2006 & UP)	1
5	99-2022	BELT - REEL DRIVE	1
6	104-4705	BELT - GROOMER DRIVE	1
7	251-342	BEARING - BALL	2
8	251-347	BEARING - ROLLER	4
9	104-0538	BEARING - DRUM DRIVE (FLEX 21 - 2001-04)	2
9	106-8448	BEARING - DRUM DRIVE (FLEX 21 - 2005 & UP)	2
10	38-7820	BEARING - BALL (IDLER)	2
11	251-336	BEARING - BALL	2
12	251-82	BEARING - BALL	2
13	251-259	BEARING - BALL (GROOMER IDLER)	2
14	98-7261	BEDKNIFE - MICRO CUT (FLEX 18)	1
14	110-2300	BEDKNIFE - MICRO CUT EXTENDED (FLEX 18)	1
14	98-7260	BEDKNIFE - TOURNAMENT-CUT (FLEX 18)	1
14	110-2301	BEDKNIFE - LOWCUT (FLEX 18)	1
14	93-4262	BEDKNIFE - MICRO CUT (FLEX 21)	1
14	93-4263	BEDKNIFE - TOURNAMENT-CUT (FLEX 21)	1
14	93-4264	BEDKNIFE - LOWCUT (FLEX 21)	1
14	104-7720	ORDER 108-4303	1
14	108-4303	BEDKNIFE - MICRO CUT EXTENDED (FLEX 21)	1
15	57-4910	SCREW - BEDKNIFE	13
16	115-8255	REEL - 14 BLADE (FLEX 18)	1
16	115-4289	REEL - 14 BLADE (FLEX 21 2004 & UP)	1
16	110-2310	REEL - 11 BLADE (FLEX 18)	1
16	104-0500	REEL - 11 BLADE (FLEX 21 2001-03)	1
16	107-7635	REEL - 11 BLADE (FLEX 21 2004 & UP)	1
16	105-2400	REEL - 8 BLADE (FLEX 21 2001-03)	1
16	107-7634	REEL - 8 BLADE (FLEX 21 2004 & UP)	1
*	108-3160**	Reel Overhaul MVP Kit (2004 & Up)	A/R
17	95-5719	BLADE - GROOMER (HEX SHAFT)	41
18	110-2393	BLADE - GROOMER (CARBIDE TIPPED - HEX SHAFT)	41
19	99-3767	NUT - BEARING LOCK (2001-04)	1
19	107-3227	NUT - BEARING LOCK (2004 & UP)	1
20	99-3801	SEAL - REEL (BLACK - 2001-04)	4
20	107-3233	SEAL - REEL (2004 & UP)	4
21	32151-92	RING - RETAINING	2
22	3290-485	WASHER - WAVE	1
23	52-2890	BUSHING - NYLON	2
24	63-9510	BUSHING	2
25	33104-020	BOLT - HEX FLANGE	4
26	105-9945	SEAL - REEL (BLUE - 2001-04)	4
27	52-2860	WASHER	4
28	52-2900	WASHER	4
29	3220-26	NUT - JAM (FLEX 21 2001-04)	2
29	107-9045	ORDER 32128-48	2
29	32128-48	NUT - JAM (FLEX 21 2004 & UP)	2
30	65-6270	BOLT - BEDBAR	2
31	99-3794-03	BEDBAR	1

*Not Illustrated

**See pages 7-17 for Kit contents

WALK GREENSMASTERS

Greensmaster® Flex 18/21



NOTE: Always consult your product's Parts Catalog to insure ordering the correct part. The part needed may not be listed in this program catalog.

WALK GREENSMASERS

Greensmaster® Flex 18/21

Ref. No.	Part No.	Description	Qty. Reqd.
32	99-2047	BUSHING (2001-03)	2
33	104-2602-03	BAR - CUTOFF (FLEX 21 2001-02)	1
33	106-6924-03	BAR - CUTOFF (FLEX 21 2002 & UP)	1
34	104-2628	SCREW - HEX WASHER HD	8
35	107-3238	V-RING	2
36	108-3150	SLEEVE	2
37	253-120	SEAL (FLEX 21 - 2001-2004)	2
38	106-5363	ADJUSTER (2004 & UP)	2
39	106-5344	BUSHING - KEYED FLANGE (FLEX 21 CU 04202 & FLEX 18)	2
40	256-252	BUSHING - FLANGE (FLEX 21 CU 04200)	2
41	33114-010	BOLT - HEX HD	2
42	3253-4	WASHER - LOCK	2
43	99-2097	DETENT - ADJUST	2
44	95-3703	WASHER - WAVE (2001-04)	2
44	106-5335	WASHER - WAVE (2004 & UP)	2
45	32120-93	RING - RETAINING	2
46	99-2096	SCREW - ADJUST	2
47	99-2098	WASHER - ADJUST	2
48	99-3755	SPRING - ADJUST	2
49	33025-00	NUT - HEX	2
50	93-2549	NUT - ADJUST (2001-03)	2
51	99-2093	SHAFT - ADJUSTER (2001-2003)	2
52	3290-271	RIVET - POP	2
53	104-2632	GRASS SHIELD ASSY	1
54	33124-025	BOLT - CARRIAGE	2
55	99-3792	BRACKET - REAR ROLLER	2
56	104-2612	NUT - HEX	4
57	3256-23	WASHER - FLAT	4
58	33113-012	SCREW - HEX HD	4
59	95-1618	ORDER 105-3834	1
59	105-3834	BOLT - SHOULDER	1
60	33125-045	BOLT - CARRIAGE (2001)	2
60	105-5342	BOLT - CARRIAGE (2002 & UP)	2
61	99-3782	SCREW - HOC (2001-02)	2
62	99-3781	ORDER 110-7351	2
62	110-7351	BRACKET - FRONT HOC (FLEX 21 2001-04)	2
62	107-3502	ORDER 110-7350	2
62	110-7350	BRACKET KIT (INCL #58 & 60) (FLEX 21 2004 & UP)	1
63	104-2603	WASHER - HOC BRACKET	2
64	104-2611	NUT - HEX (2001-03)	2
64	106-4668	NUT - LOCK (2003 & UP)	2
65	106-8530	SEAL (GROOMER SHAFT)	2
66	70-1350	SPACER - GROOMER	84
67	3296-60	NUT - GROOMER	2
68	99-3842	SEAL - ROLLER	4
69	104-4212	RING - SPIRAL RETAINING (2001)	4
69	32120-15	RING - RETAINING (2002-2004)	4
70	106-6941	SEAL	2
71	106-6942	V-RING	2
72	108-3151	NUT - BEARING LOCK	2
73	104-2606	ORDER 106-6940	2
73	106-6940	SHAFT - ROLLER (FLEX 21)	2
74	99-3840	ORDER 107-9036	1
75	107-9036	FULL REAR ROLLER ASSEMBLY (FLEX 21)	1
*	107-1594**	Roller Rebuild MVP Kit	A/R

*Not Illustrated

**See pages 7-17 for Kit contents

WALK GREENSMASERS

Greensmaster® Flex 18/21

Ref. No.	Part No.	Description	Qty. Reqd.
76	104-9796	ORDER 017-9039	1
77	99-6215	ORDER 107-9038	1
77	104-9795	ORDER 107-9037	1
77	106-6948	ORDER 107-9038	1
78	107-9037	WIEHLE ROLLER ASSEMBLY (NARROW SPACING)	1
78	107-9038	WIEHLE ROLLER ASSEMBLY (WIDE SPACING)	1
*	107-1594**	Roller Rebuild MVP Kit	A/R
79	104-0540	WIEHLE ROLLER TUBE (NARROW SPACING)	1
80	107-9039	FULL FRONT ROLLER ASSEMBLY (FLEX 21)	1
*	107-1594**	Roller Rebuild MVP Kit	A/R
81	110-2303	2" FULL ROLLER ASSY (FLEX 18)	1
81	110-2306	2.5" FULL ROLLER ASSY (FLEX 18)	1
*	107-1594**	Roller Rebuild MVP Kit	A/R
82	110-2220	TUBE - 2" FULL ROLLER (FLEX 18)	1
82	110-2228	TUBE - 2.5" FULL ROLLER (FLEX 18)	1
83	110-2304	WIEHLE ROLLER ASSY NARROW SPACING (FLEX 18)	1
83	110-2305	WIEHLE ROLLER ASSY WIDE SPACING (FLEX 18)	1
*	107-1594**	Roller Rebuild MVP Kit	A/R
84	110-2221	TUBE - WIEHLE NARROW SPACING (FLEX 18)	1
84	110-2227	TUBE - WIEHLE WIDE SPACING (FLEX 18)	1
85	108-8625	ROLLER SHAFT REPLACEMENT KIT (FLEX 21)	1
86	108-4339	AUXILIARY ROLLER ASSY	2
87	108-4334	ROLLER - AUXILIARY	2
88	108-4333	AUXILIARY ROLLER KIT	1
89	93-8626	SCREW - CARB BOWL (KAWASAKI)	1

*Not Illustrated

**See pages 7-17 for Kit contents